



MAGNA3

Further product
documentation



net.grundfos.com/qr/i/98091805

be
think
innovate

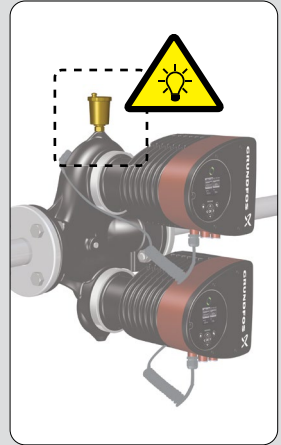
GRUNDFOS 



MAGNA3



MAGNA3 D

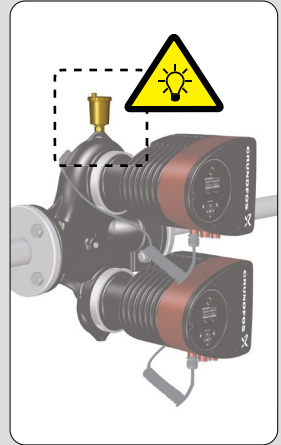




MAGNA3 F



MAGNA3 D F





Min./Max.
-10 °C – +110 °C



PN 6:6 bar / 0.6 MPa
PN 10:10 bar / 1.0 MPa
PN 16:16 bar / 1.6 MPa



Min./Max.
0 °C – +40 °C

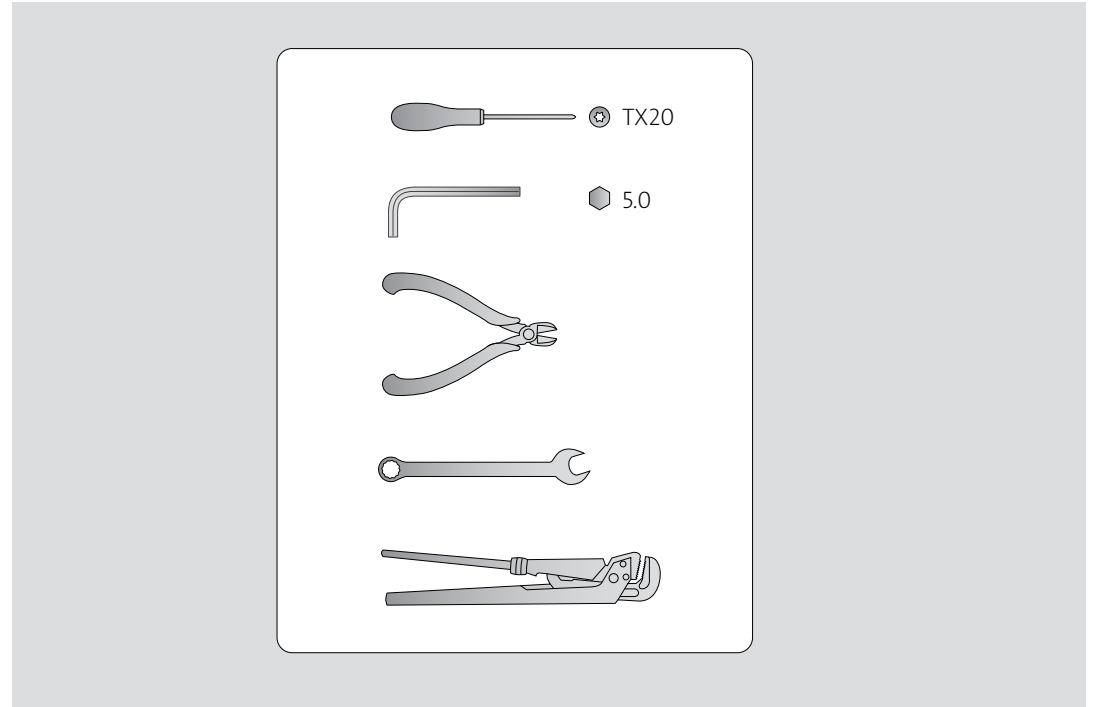
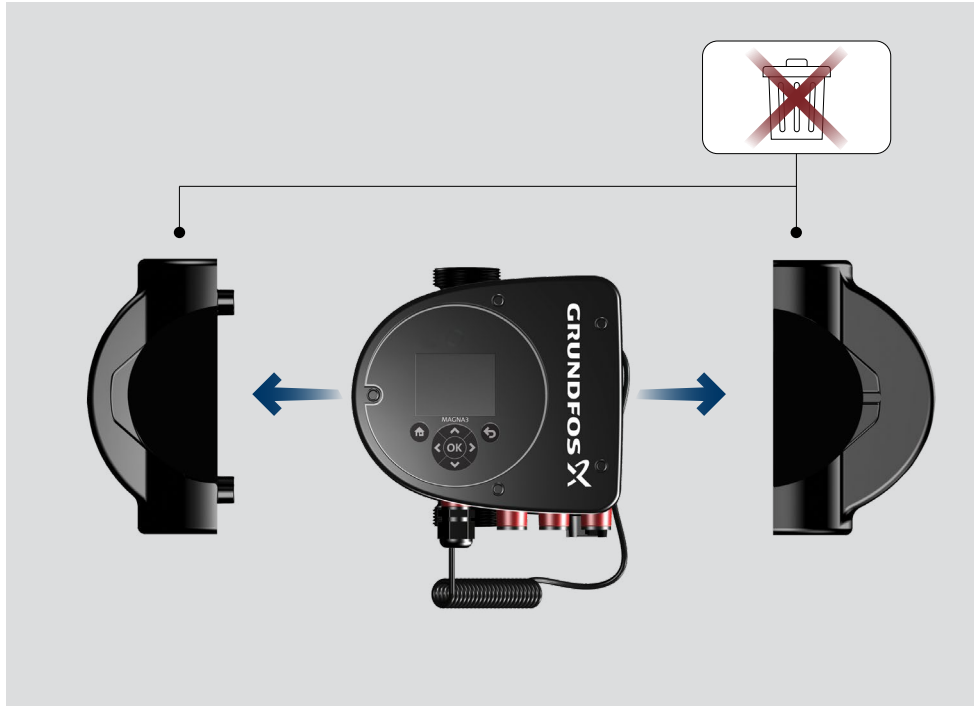


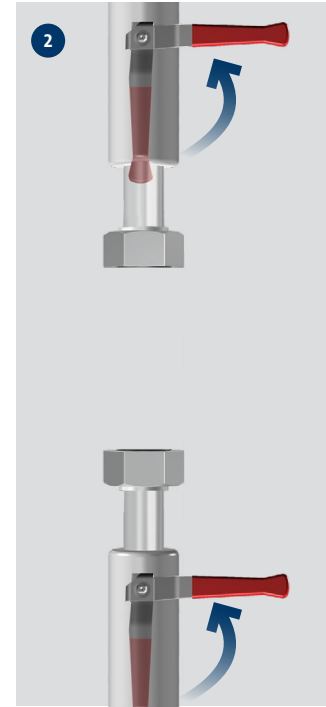
< 39 dB(A)

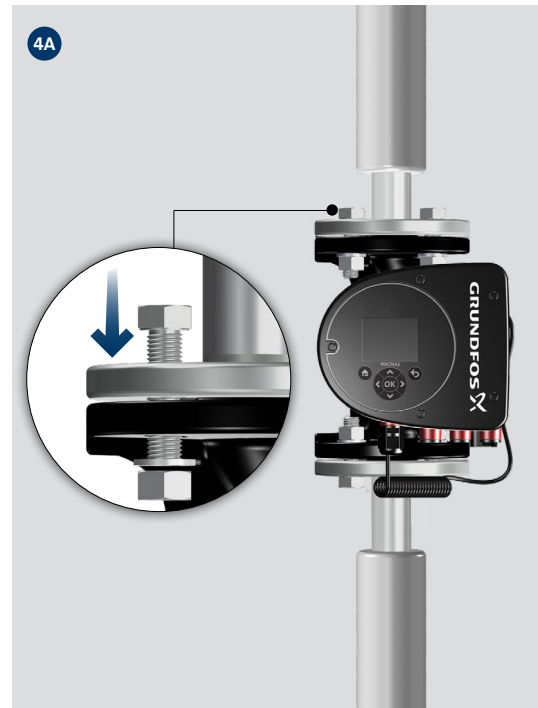


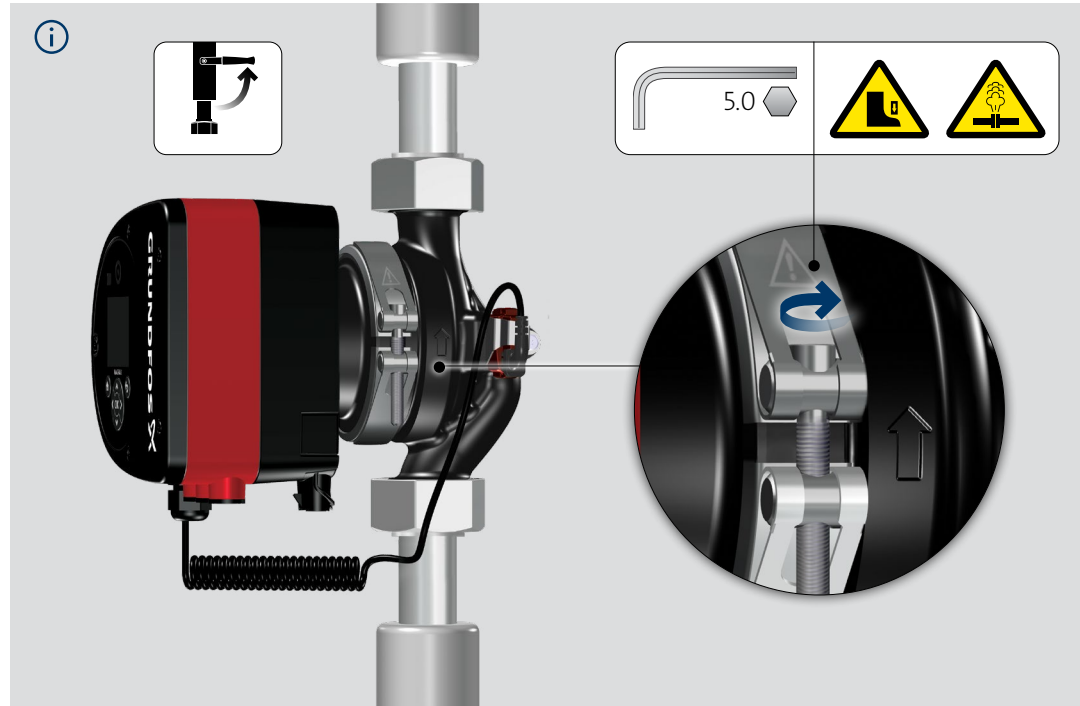
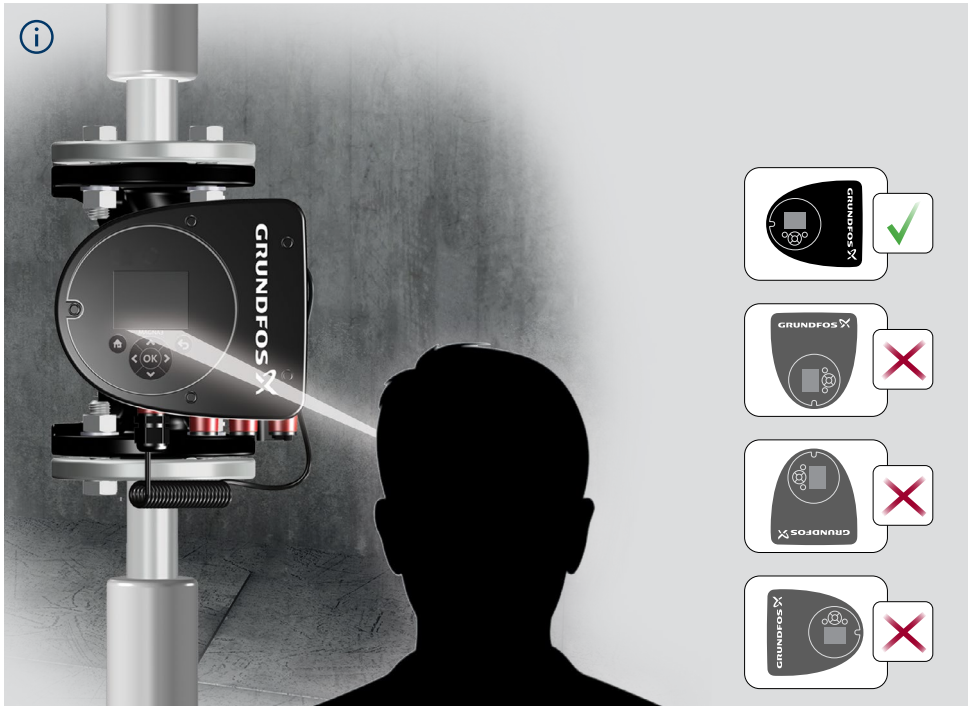
Max. 95 % RH
IPX4D

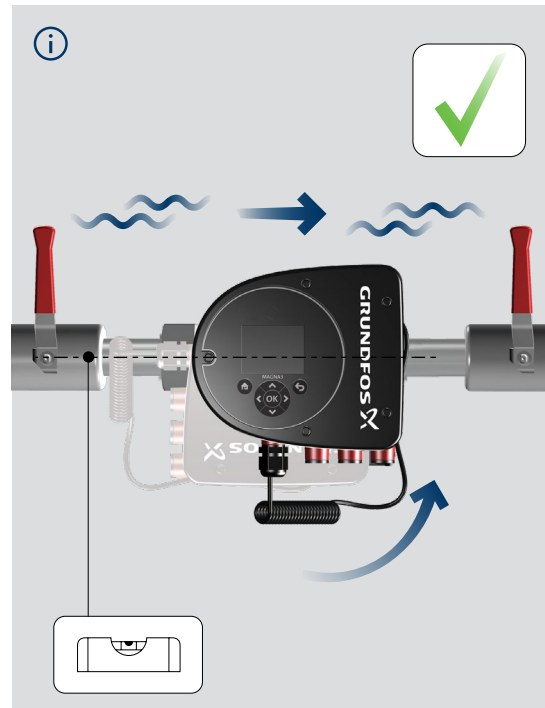
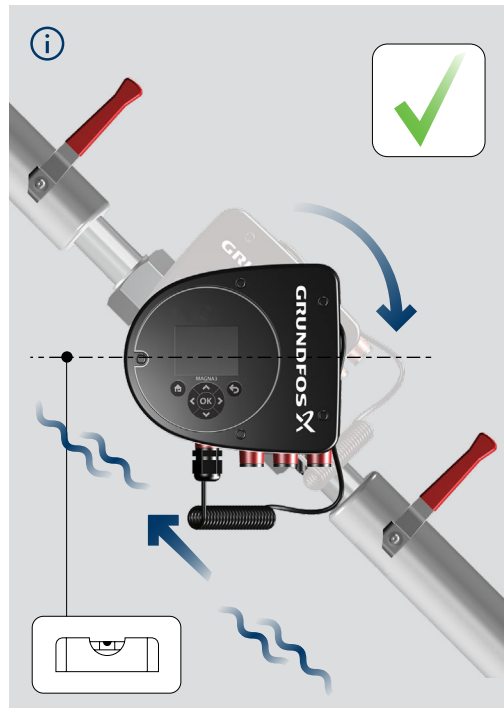
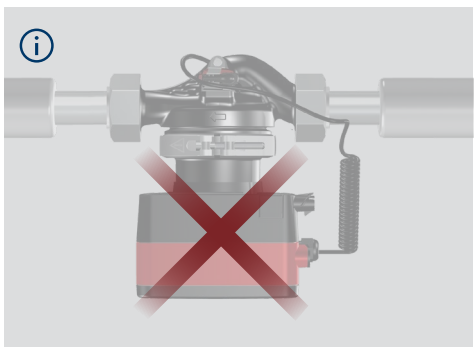
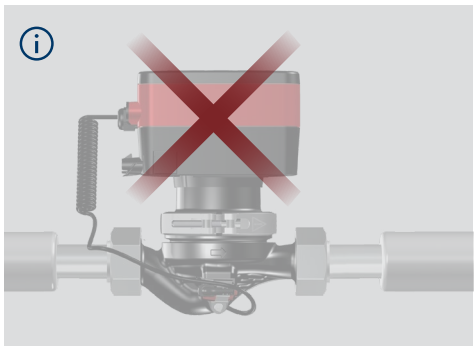


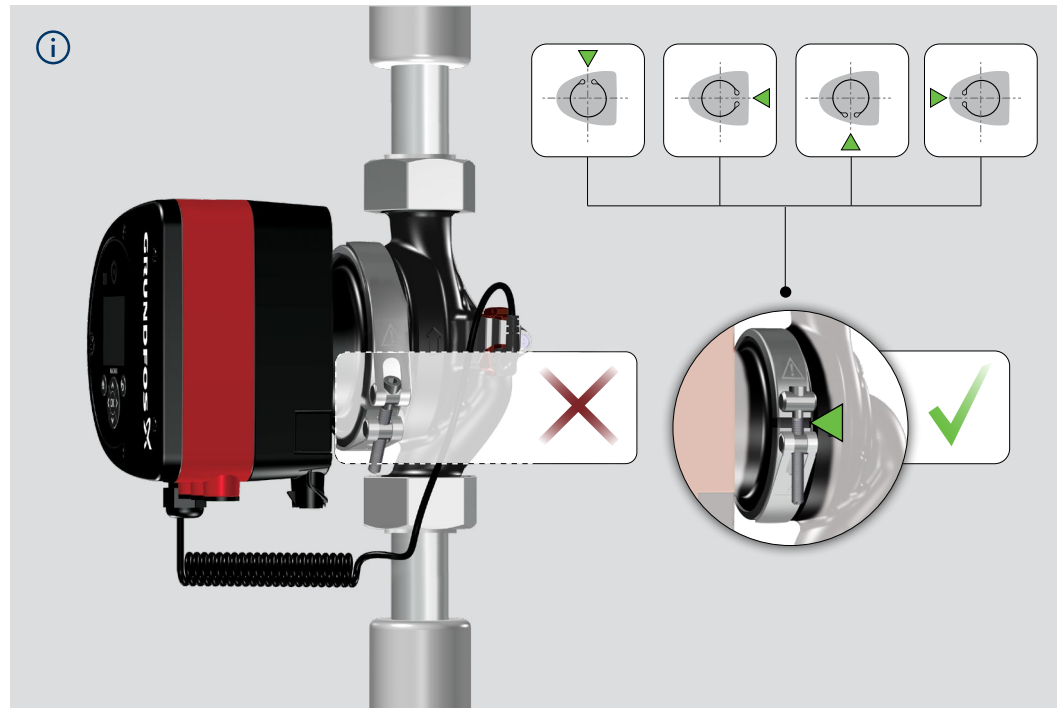
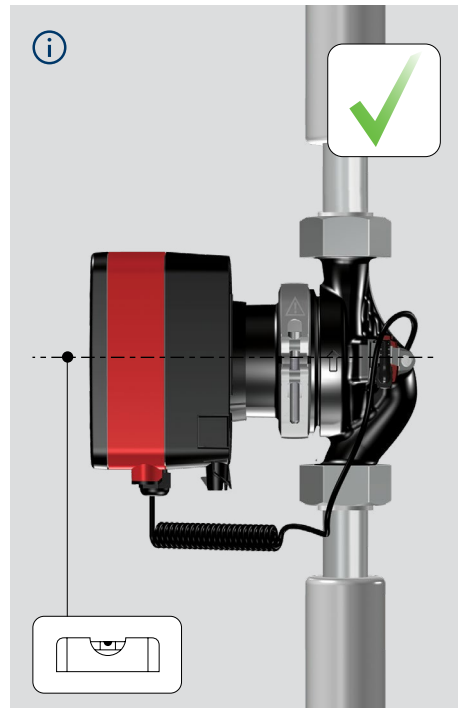
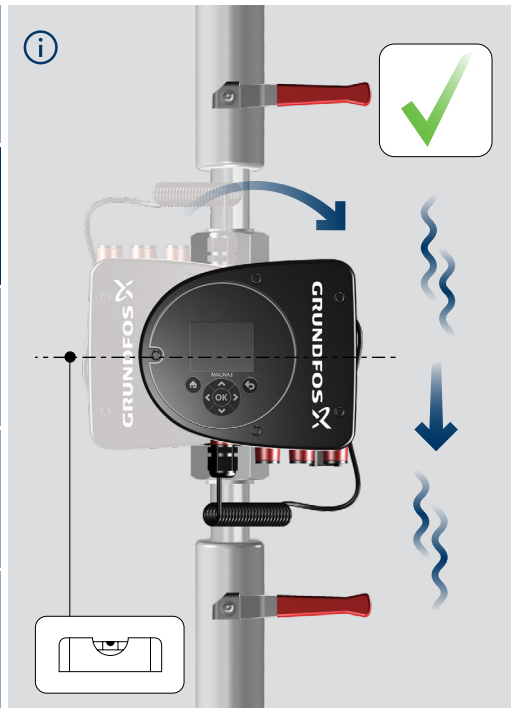


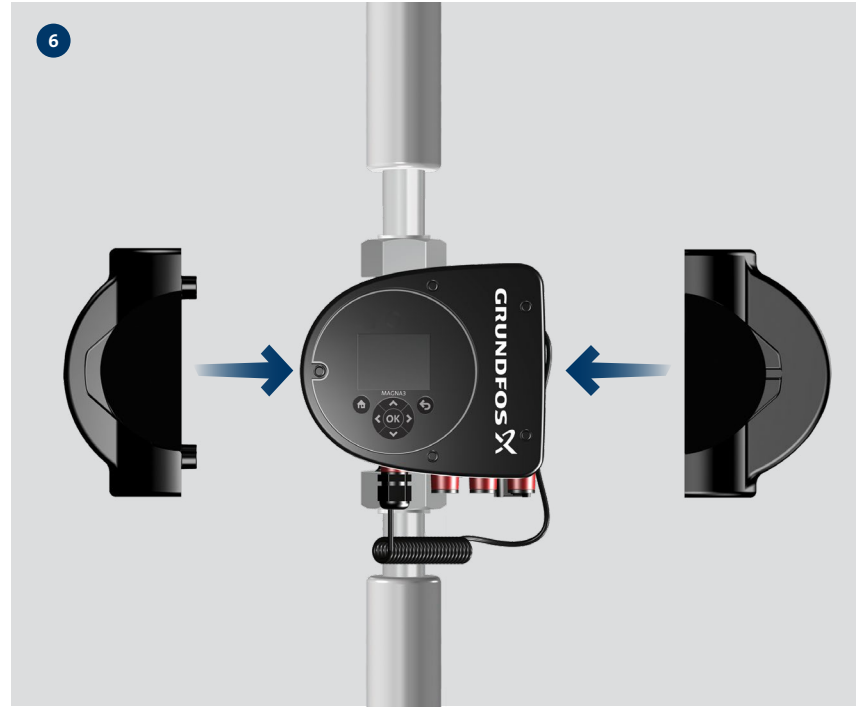
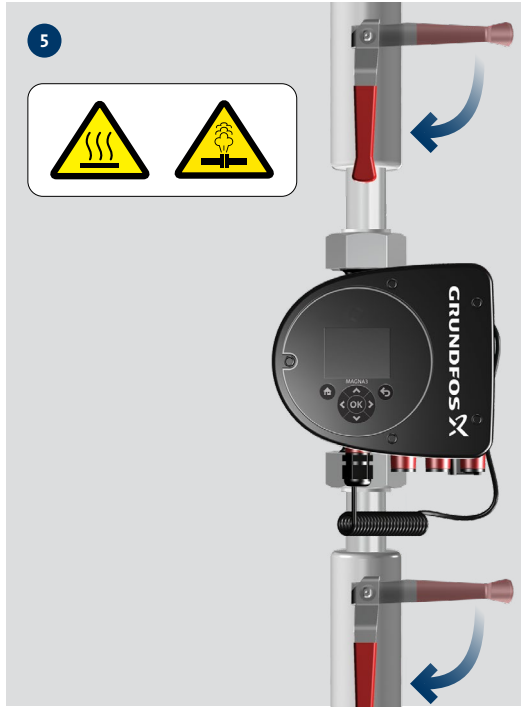
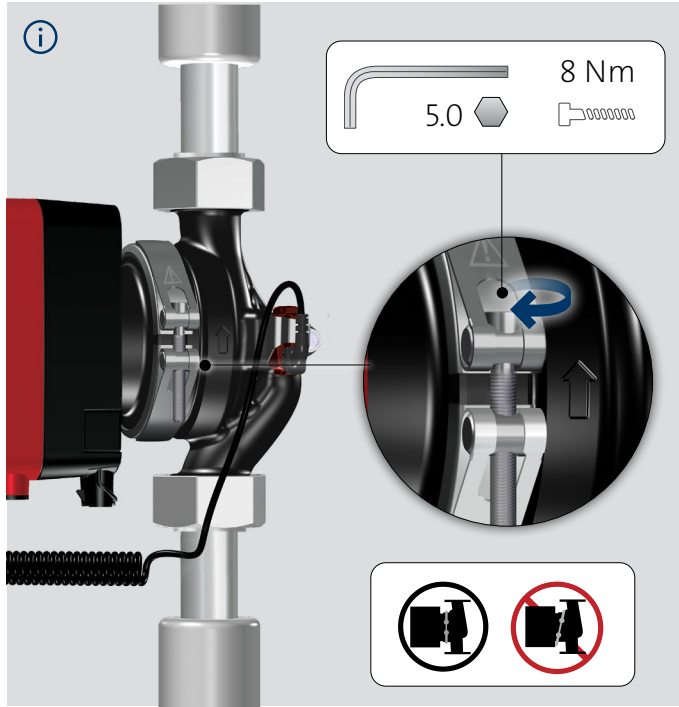


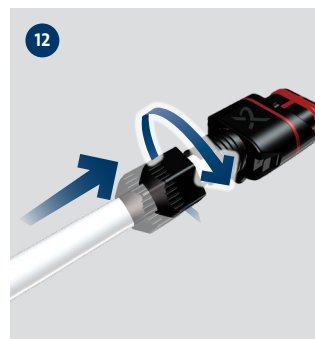
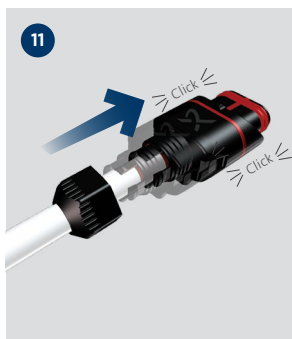
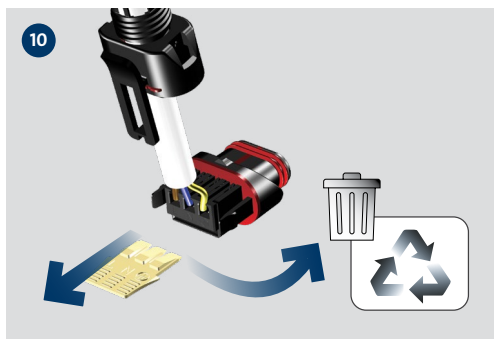
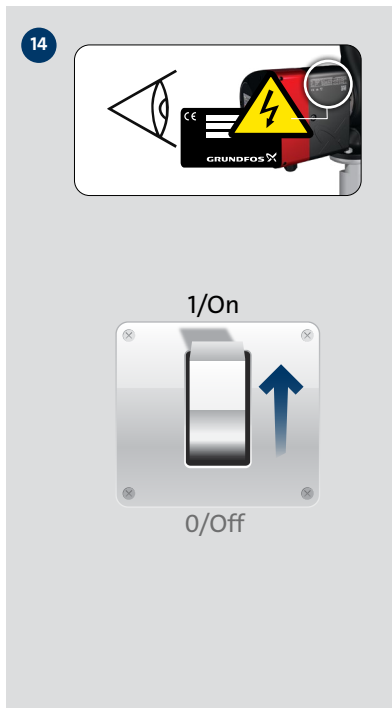
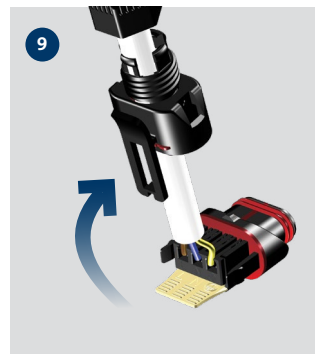
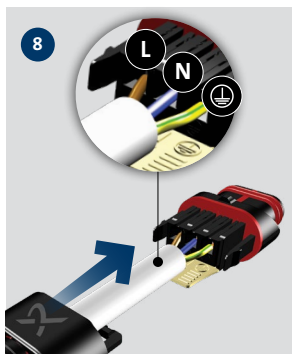
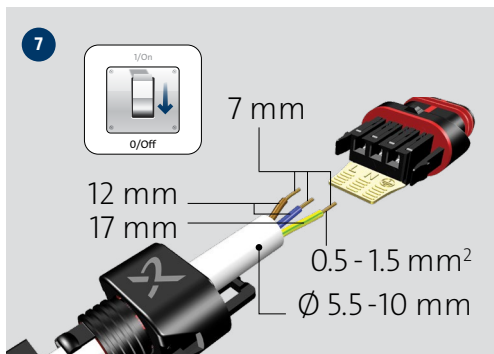


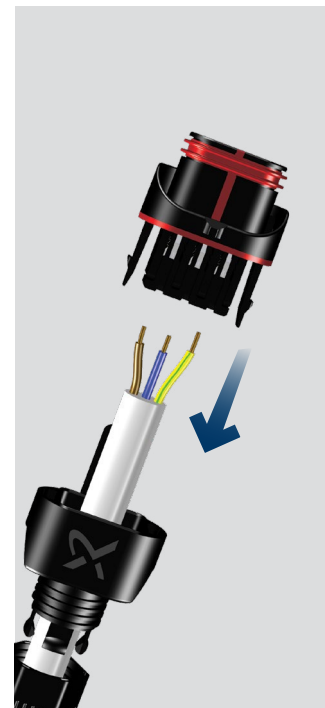
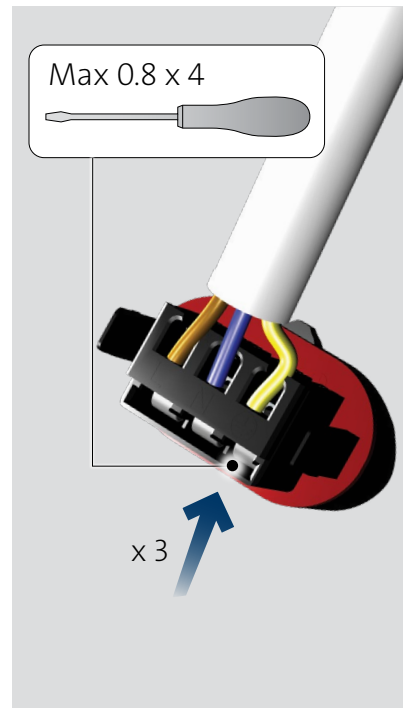
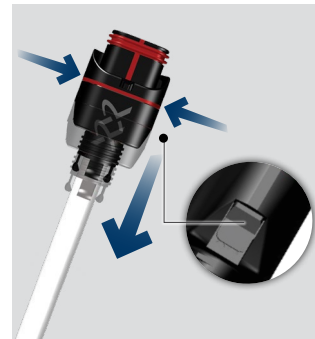
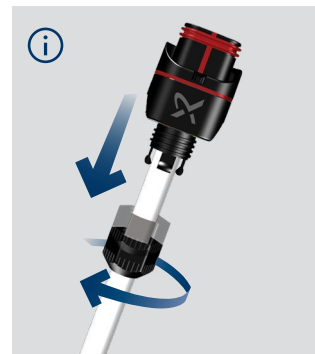
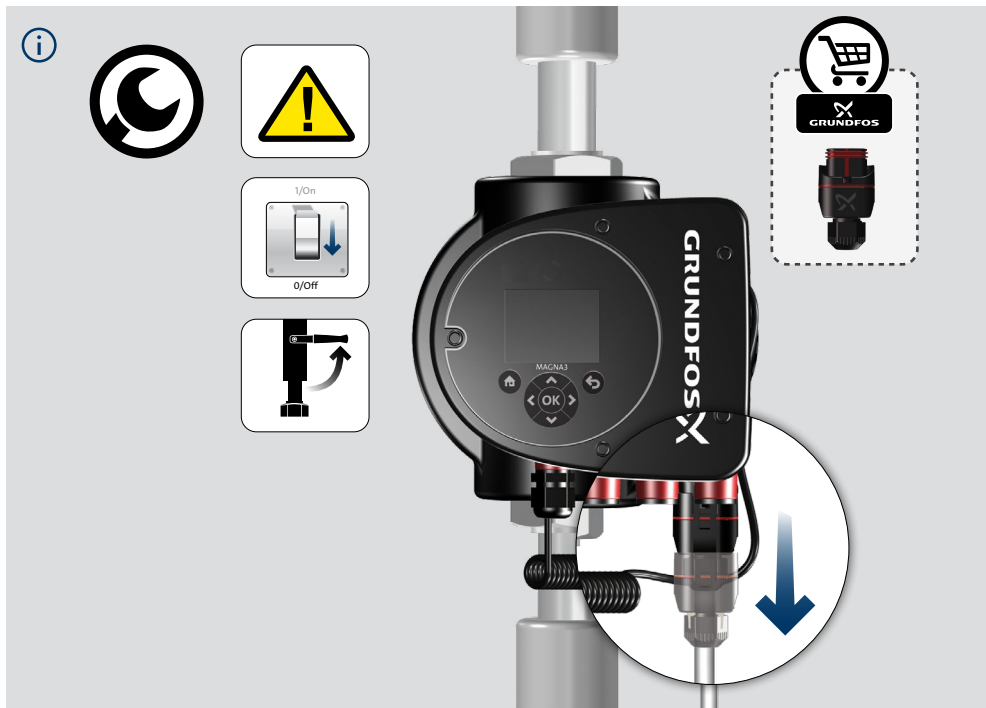


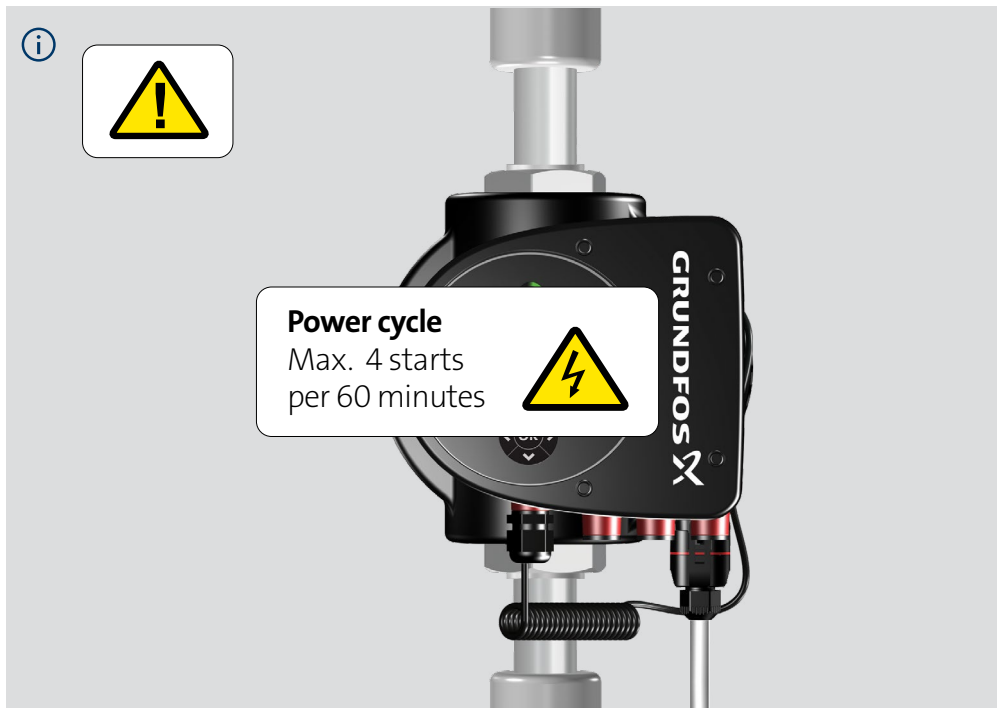


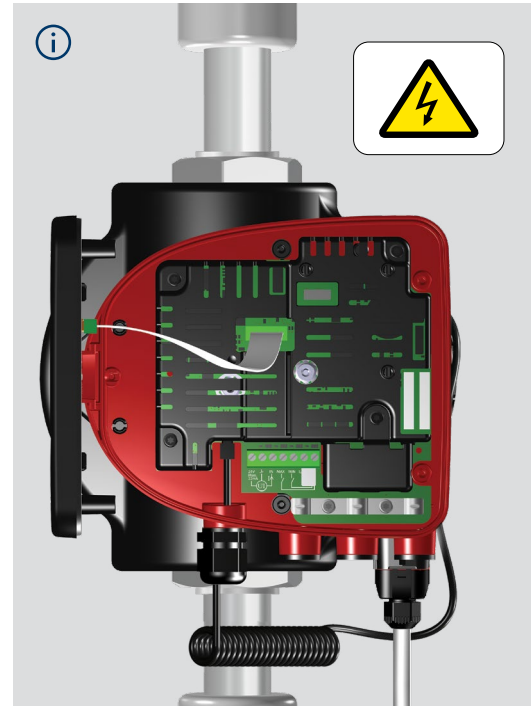
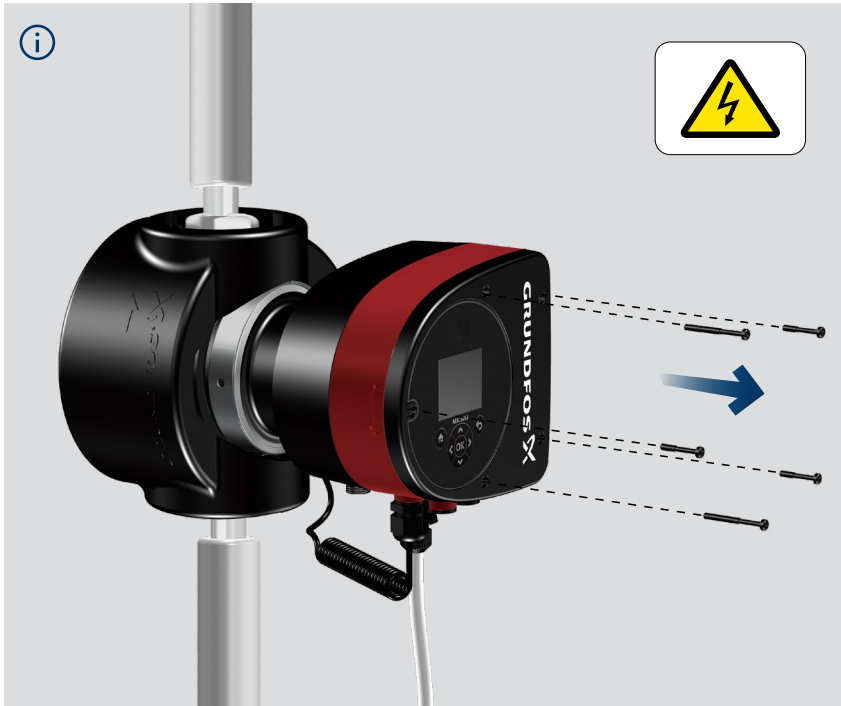


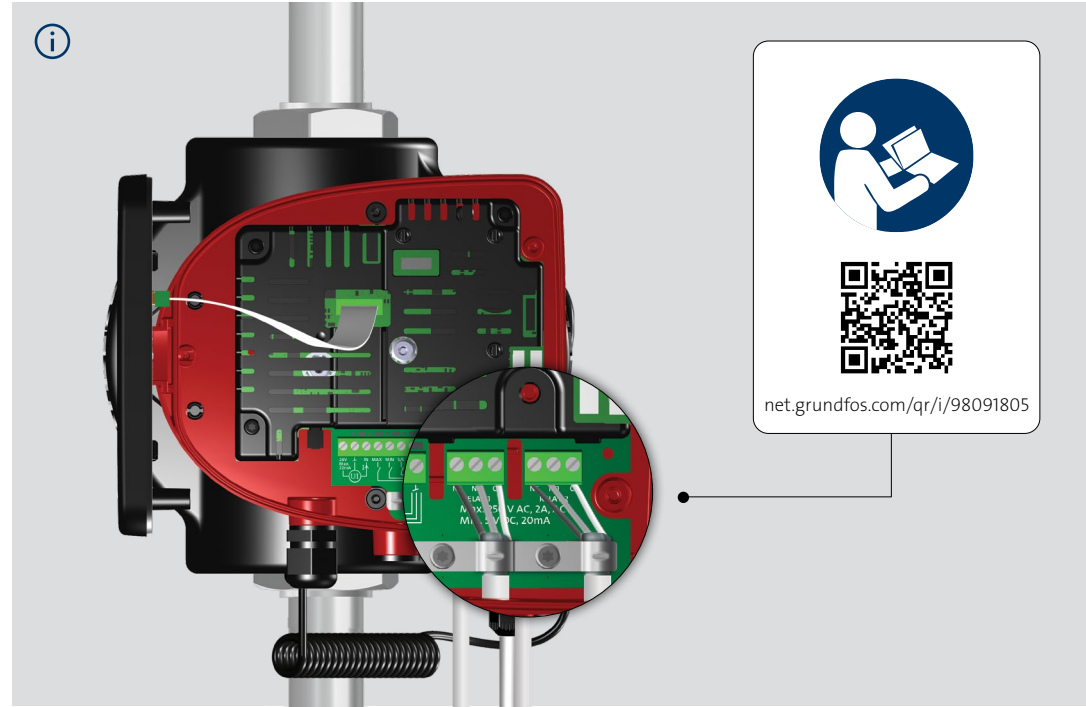
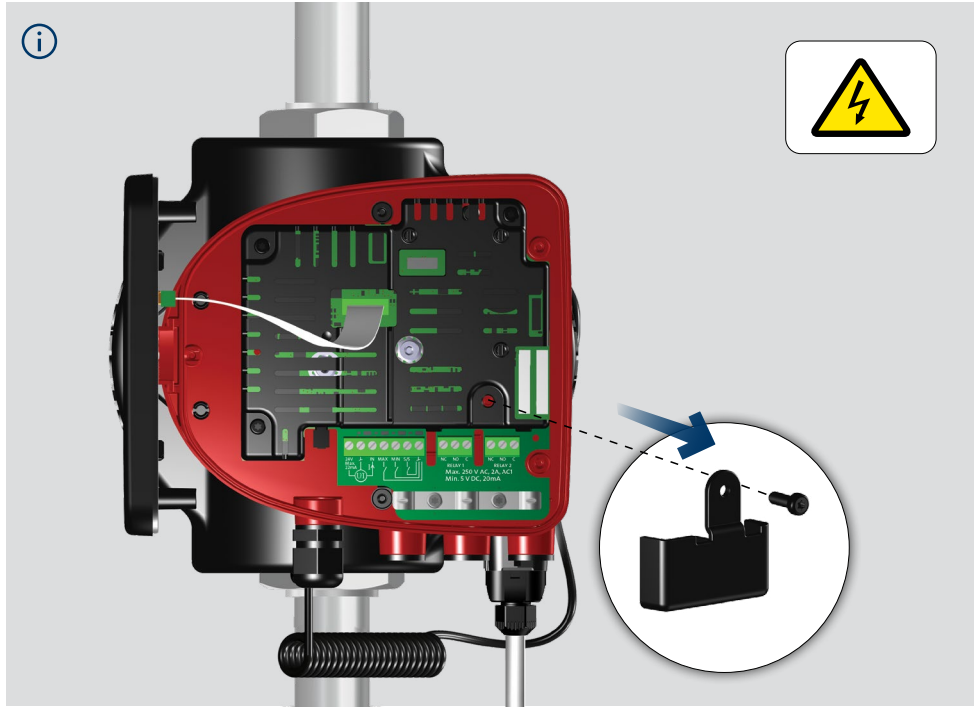


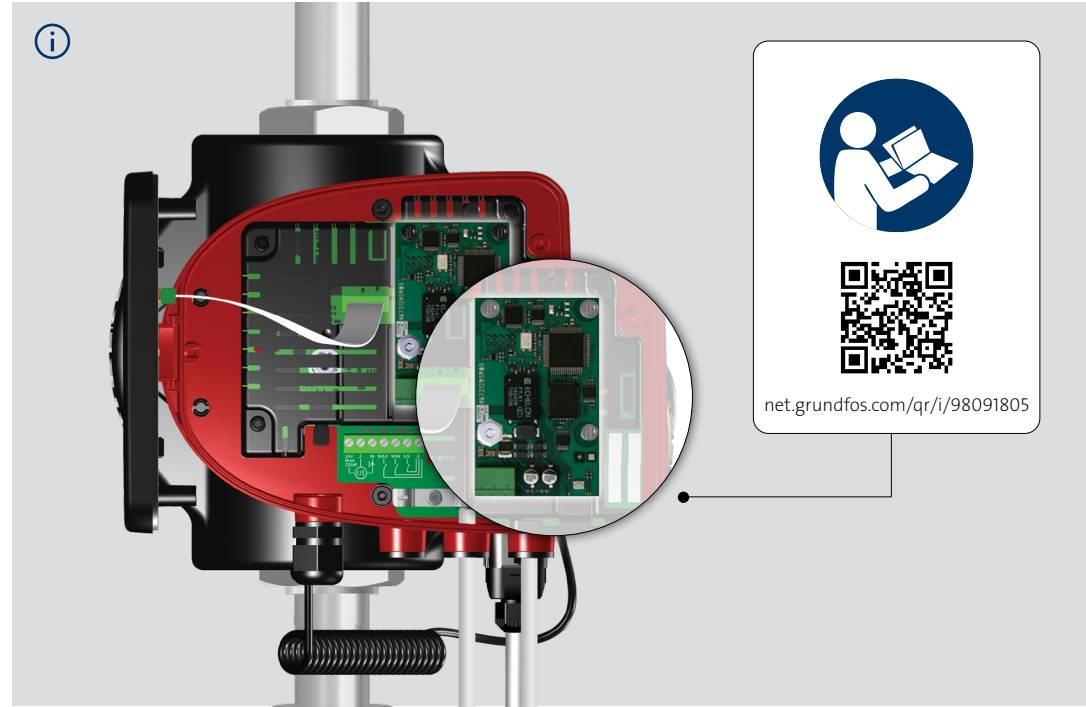
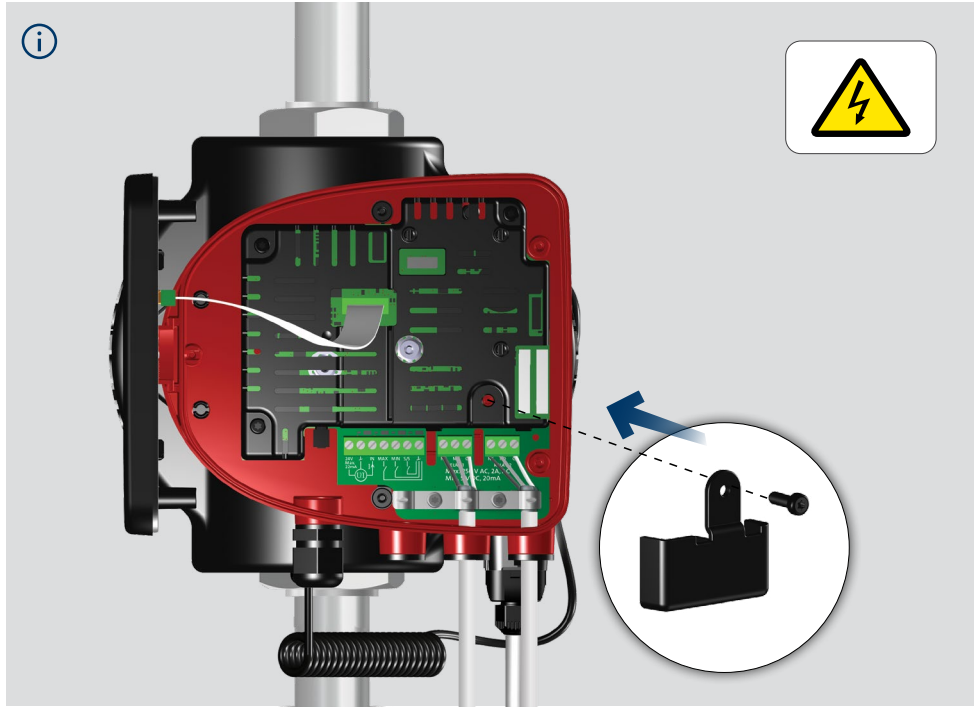


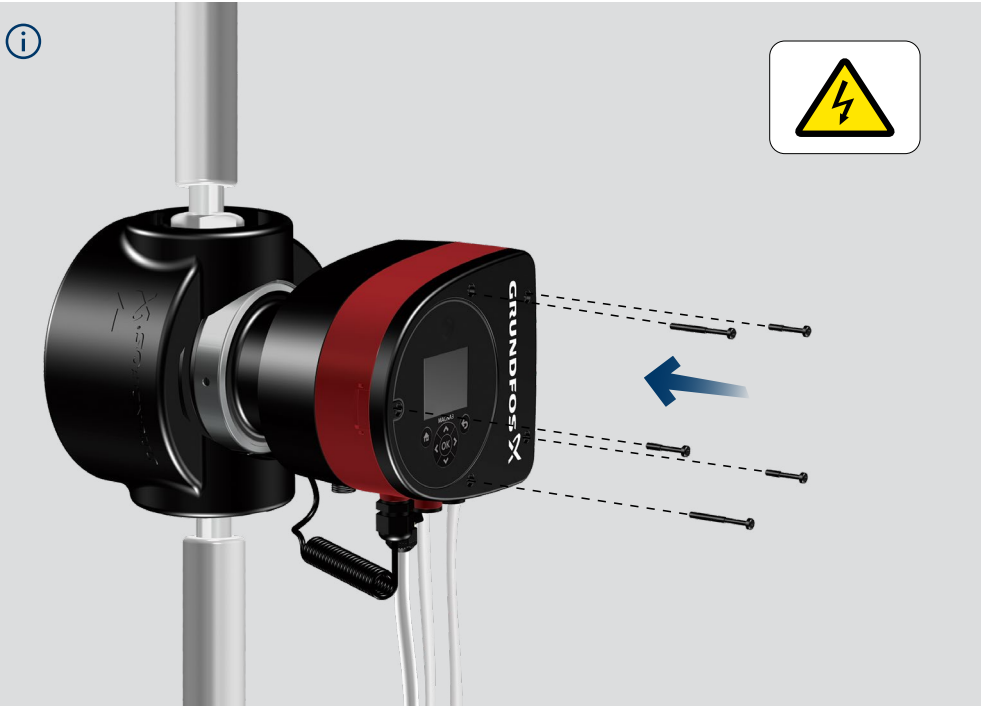












Installation date: _____

Installer:

98474143 08.2020

ECM: 1290594

GRUNDFOS Holding A/S
Poul Due Jensens Vej 7
DK-8850 Bjerringbro
Tel: +45 87 50 14 00
www.grundfos.com

GRUNDFOS 